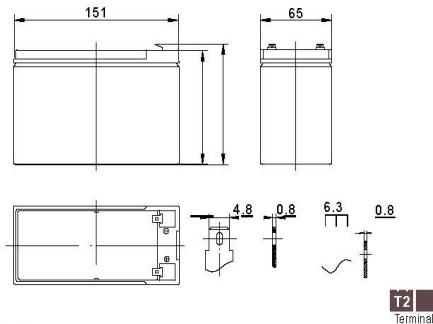


### Dimension(mm)



### Dimension:

|              |                           |
|--------------|---------------------------|
| Length       | 151mm ± 1.5mm (5.94 inch) |
| Width        | 65mm ± 1.5mm (2.56 inch)  |
| Height       | 94mm ± 1.5mm (3.7 inch)   |
| Total Height | 100mm (3.94 inch)         |

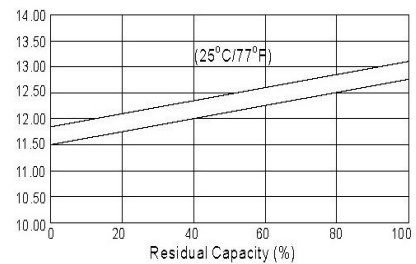
### Weight Approx.

2.15kg

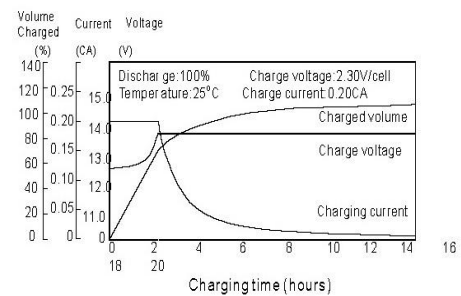
### Specification

|   |  |
|---|--|
| Nominal Voltage                         | 12V  |
| Nominal Capacity                        | 7.0Ah @ 20Hr-Rate to 10.2V   |
| Typical Capacity                        | 7.2Ah @ 20Hr-Rate to 10.2V<br>7.0Ah @ 10Hr-Rate to 10.2V<br>5.65Ah @ 5Hr-Rate to 10.2V<br>4.55Ah @ 1Hr-Rate to 10.2V<br>3.35Ah @ 15min-Rate to 10.2V |
| Internal Resistance                     | Approx. 25mΩ   |
| Capacity affected by temperature (20Hr) | 102% at 40°C<br>100% at 25°C<br>85% at 0°C<br>65% at -15°C   |
| Self-Discharge (at 25°C)                | 91% after 3 months<br>82% after 6 months<br>65% after 12 months  |
| Operation Temperature                   | -15°C ~ 50°C   |
| Float Charging Voltage                  | 13.6~13.8V   |
| Cyclic Charging Voltage                 | 14.5~14.9V   |
| Maximum Charging Current                | 2.1A   |
| Maximum Discharging Current             | 105A (5 sec)   |
| Terminal Material                       | Cooper   |

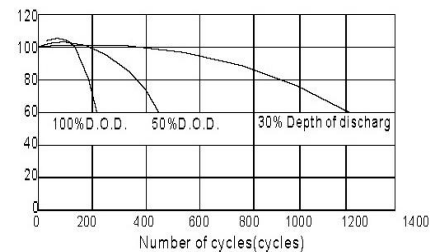
### The Relationship for Open Circuit Voltage and Residual Capacity (25°C)



### Charging Characteristics(25°C)



### Cycle Life(25°C)



### Constant Current Discharge Characteristics (A, 25°C)

| F.V./TIME | 5min | 10min | 15min | 30min | 60min | 3h   | 5h   | 10h  | 20h  |
|-----------|------|-------|-------|-------|-------|------|------|------|------|
| 9.60V     | 27.4 | 18.0  | 14.0  | 8.20  | 4.70  | 1.83 | 1.24 | 0.71 | 0.37 |
| 10.2V     | 26.0 | 17.1  | 13.4  | 7.86  | 4.55  | 1.80 | 1.22 | 0.70 | 0.36 |
| 10.8V     | 24.4 | 16.1  | 12.7  | 7.46  | 4.35  | 1.76 | 1.20 | 0.68 | 0.36 |

### Constant Power Discharge Characteristics (Watt, 25°C)

|     | 5min | 10min | 15min | 30min | 60min | 3h   | 5h   | 10h  | 20h |
|-----|------|-------|-------|-------|-------|------|------|------|-----|
| 305 | 203  | 160   | 92.0  | 54.4  | 21.7  | 14.8 | 8.52 | 4.43 |     |
| 290 | 191  | 153   | 88.2  | 52.7  | 21.4  | 14.6 | 8.40 | 4.37 |     |
| 273 | 180  | 145   | 83.8  | 50.4  | 21.0  | 14.3 | 8.17 | 4.32 |     |